

Motor-driven Metering Pump Meta D

Excellent choice for small and medium flow



Excellent safety and corrosion resistance

Meta D motor-driven metering pumps are available in flow ranges from 65 to 1000 l/h with back pressures ranging from 3 to 12 bar. The pump head is made of a wide range of materials for excellent safety and corrosion resistance. Meta D also provides a wide range of motors with different operating modes, including inverter, explosion-proof, and various voltages and frequencies. Double flow regulation is achieved via automatic stroke frequency and stroke length adjustments, satisfying the control needs of a wide range of applications.

Meta D has excellent quality and performance, with outstanding cost-effectiveness. Its ability to meet the small and medium flow requirements of a variety of metering and dosing processes makes it a popular choice for the majority of customers.

Product Advantage



Wide Range of Applications

- Wide range of dosing capacities, with a full range of flow rates from 65-1000 l/h @ 12-3 bar.
- Stroke length adjustment range of 0-100% (recommended 30-100% adjustment to ensure metering accuracy) .
- A variety of over-flow component materials can be selected, can be applied to different industry process requirements.
- Optional explosion-proof motor can be used in explosion-risk situations.



Safe and Reliable

- **PTFE composite diaphragm** for higher service life.
- **Strong cast aluminum housing**, even when fully exposed to humid, acidic environments, has good resistance.
- Unique safety design, even if the diaphragm is ruptured, so that chemical media do not enter the drive unit.
- IP55 protection level, better dustproof, waterproof and durability.



Flexible Operation

- Stroke length and stroke frequency are both adjustable, the flow rate adjustment range is wider.
- Can be adjusted in 0.5% steps of stroke length, easier to lock the demand flow rate.



Automatic Control

- Variable frequency motor can be configured to automatically adjust the stroke frequency to regulate the metering flow rate.
- Servo motor can be configured to automatically adjust the stroke length to regulate the metering flow rate.



High Efficiency

- IE3 energy-efficiency motor as standard, IE4/IE5 energy-efficiency optional.

Motor-driven Metering Pump Meta D

Application



□ Water treatment



□ Food & Beverage



□ Plating & Power generation

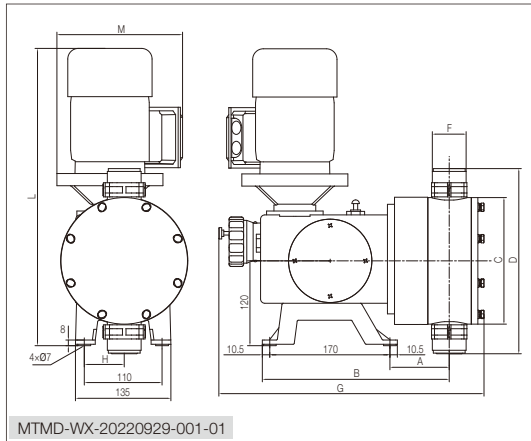
Technical Data

Type	Capacity max. back pressure			Stroke rate	Suction lift	Perm. prepressure suction side	Connector Suction/ Discharge Side	Weight	Motor power (non-inverter)
	bar	l/h	ml/stroke						
12065	10/12*	65/62*	15	72	5	2.8	1 1/4"-20	16/21*	0.18
12108	10/12*	108/104*	15	120	5	2.8	1 1/4"-20	16/21*	0.18
12130	10/12*	130/125*	15	144	5	2.8	1 1/4"-20	16/21*	0.18
10216	10	216	30	120	3	1.3	1 1/4"-20	19/24*	0.37
10260	10	260	30	144	3	1.3	1 1/4"-20	19/24*	0.37
05440	5	441	61.3	120	2	0.5	1 1/2"-25	22.5/31*	0.37
05530	5	530	61.3	144	2	0.5	1 1/2"-25	22.5/31*	0.37
10330	10	330	44.8	120	3	1.3	1 1/4"-20	19/24*	0.37
09395	9	395	44.8	144	3	1.3	1 1/4"-20	19/24*	0.37
03662	3	662	89.7	120	2	0.5	1 1/2"-25	22.5/31*	0.37
03790	3	790	89.7	144	2	0.5	1 1/2"-25	22.5/31*	0.37
08530	8	530	61.3	144	2	0.5	1 1/2"-25	22.5/31*	0.75
05790	5	790	89.7	144	2	0.5	1 1/2"-25	22.5/31*	0.75
041000	4	1000	89.7	191	2	0.5	2"-32	22.5/31*	0.75

* Data for stainless steel pump head.

Note: Data based on standard 380.V@50-Hz motor, technical data will be adjusted when motor power and frequency are different.

Dimensional



Materials in Contact With the Medium

Identity code	Dosing head	Inlet and outlet valve	Seals	Balls	Diaphragm
PPE	PP	PP	EPDM	Borosilicate Glass	PTFE
PPB	PP	PP	FPM	Borosilicate Glass	PTFE
PCE	PVC	PVC	EPDM	Borosilicate Glass	PTFE
PCB	PVC	PVC	FPM	Borosilicate Glass	PTFE
TTT	Carbonized PTFE	Carbonized PTFE	PTFE	Ceramics	PTFE
SST	SS316L	SS316L	PTFE	SS316L	PTFE

Note: Seat cover material may be different, connection size DN20, pump head material PP/PC seat cover material and pump head material is the same, the rest are PTFE.

	Variable frequency explosion-proof moto	Three-phase motors	Variable Frequency Motor	Explosion-proof motors
L	520-580	421-500	548-600	441-565
M	200-230	175-237	200-225	175-320

Type MTMd	Liquid end	A	B	C	D	F	G	H
12065/12108/12130	FM-130	64.5	245	145	220	G1 1/4-DN20	354	60.5
10216/10260	FM-260	64.5	245	145	220	G1 1/4-DN20	354	60.5
10330/09395	FM-260	64.5	245	145	220	G1 1/4-DN20	354	60.5
05440/05530	FM-530	69.5	250	180	260	G1 1/2-DN25	365	60.5
03662/03790	FM-530	69.5	250	180	260	G1 1/2-DN25	365	60.5
41000	FM-530	84.5	265	180	350	G2-DN32	410	56.5

*Dimensions are in mm, actual dimensions may vary depending on fluid end material.

